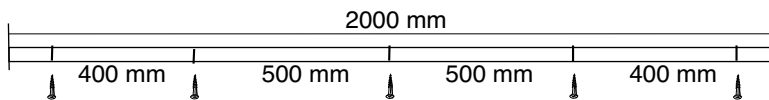




# KLING T4 Track

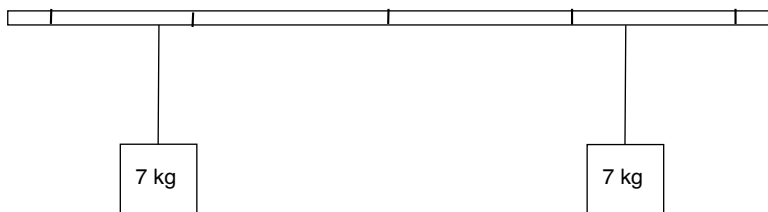
Spacing between screws on the 2 m T4 Track



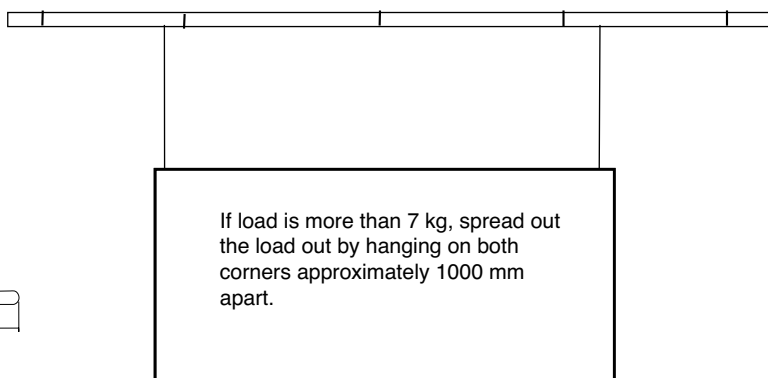
## Product Information

<b>Material</b>	Aluminium
<b>Width</b>	17 mm
<b>Depth</b>	8.5 mm
<b>Length</b>	2000 mm
<b>Colour</b>	White/Black/Milled Finish (silver)
<b>Track Mount</b>	Direct to ceiling with Screw
<b>Cable Type</b>	KLING C1 cable(cobra link)
<b>Loading</b>	7 kg per 1 meter length with minimum of 3 secure points. If more than 7 kg, spread out the load with approximately 1 meter apart (refer to graphics). Note that KLING H4 hooks are only to be used if weight exceed 5kg.

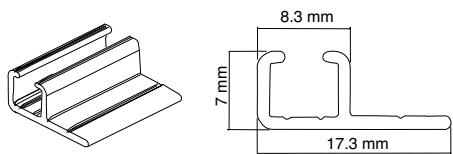
Maximum Loading of T4 Track



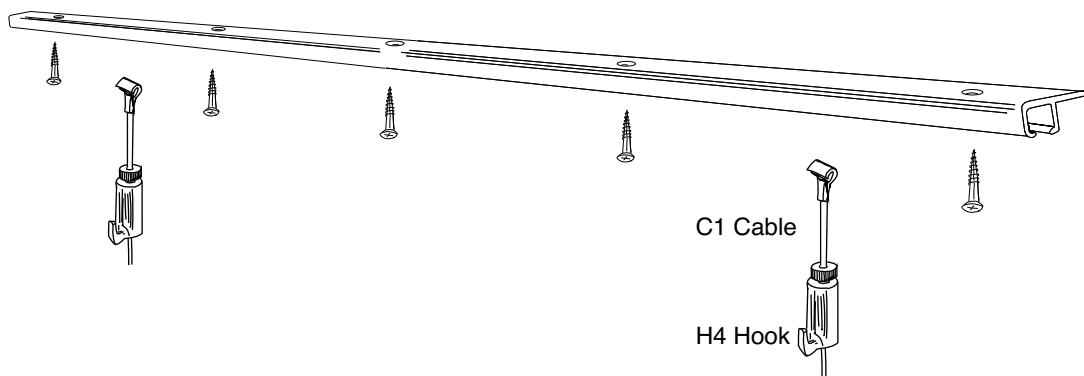
Loading of T4 Track for picture exceeding 7 kg



A profile of T4 Ceiling Track



## An overview of a T4 Ceiling Track



## Methods of mounting T4 on ceiling

